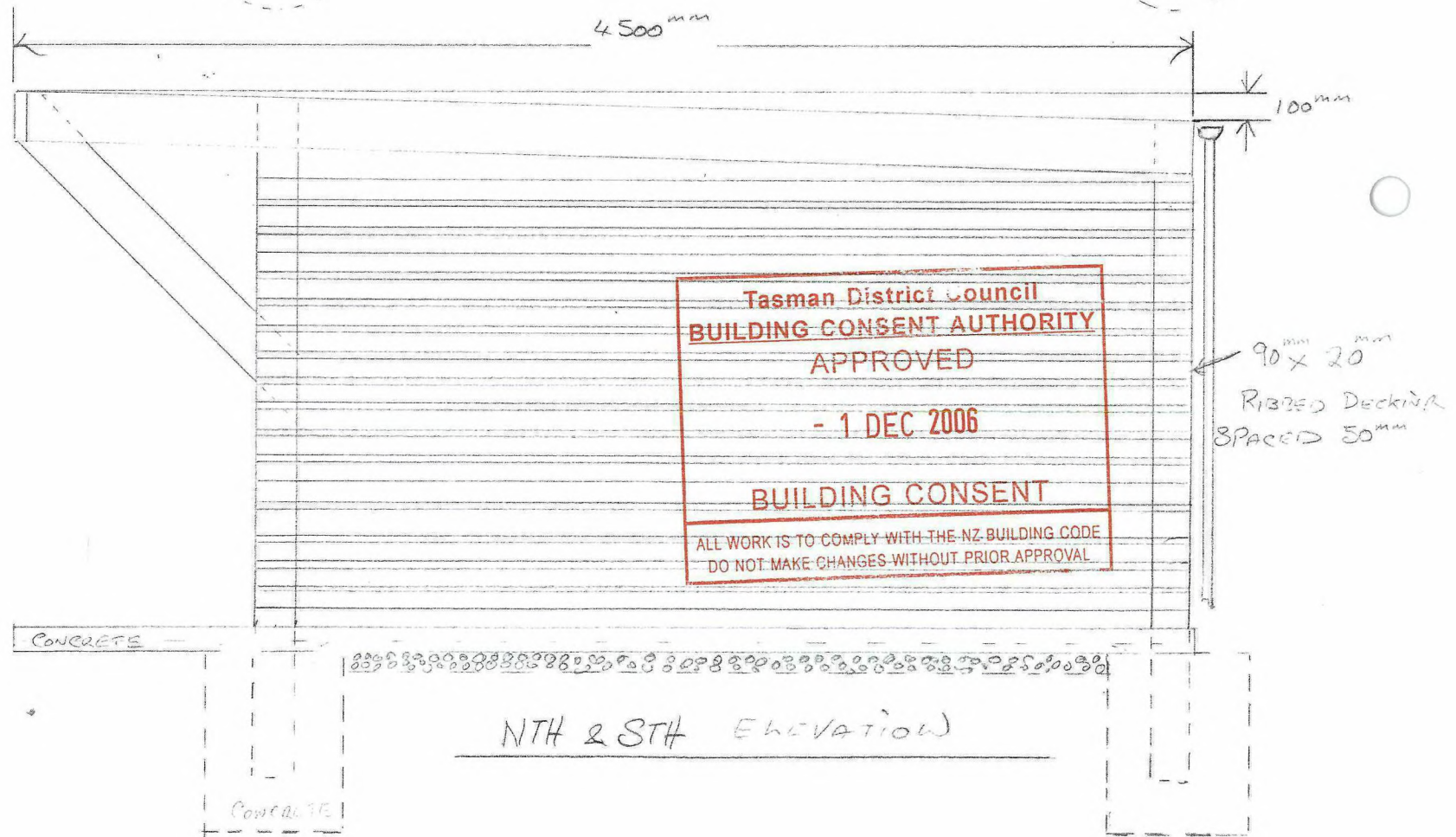
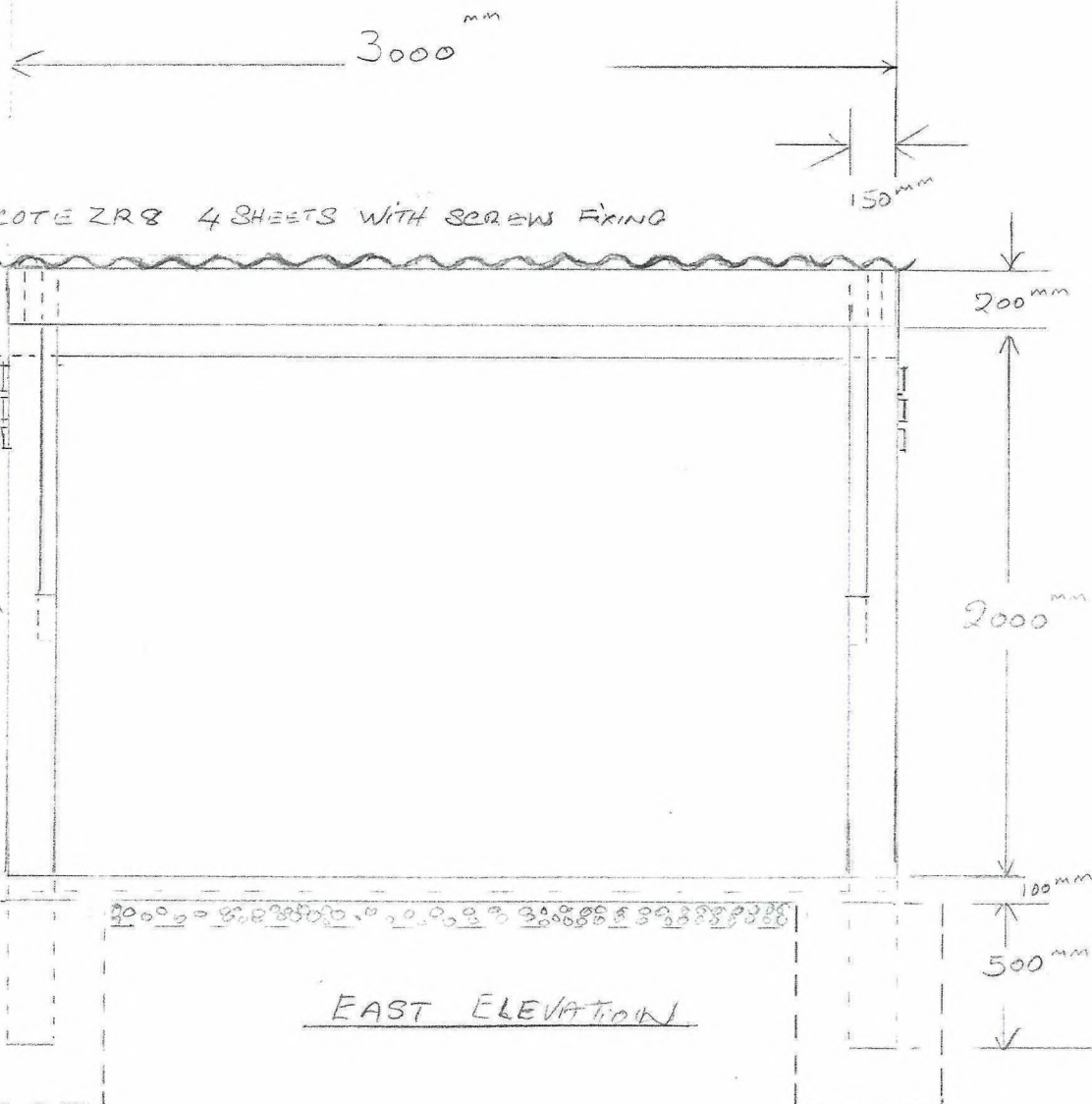
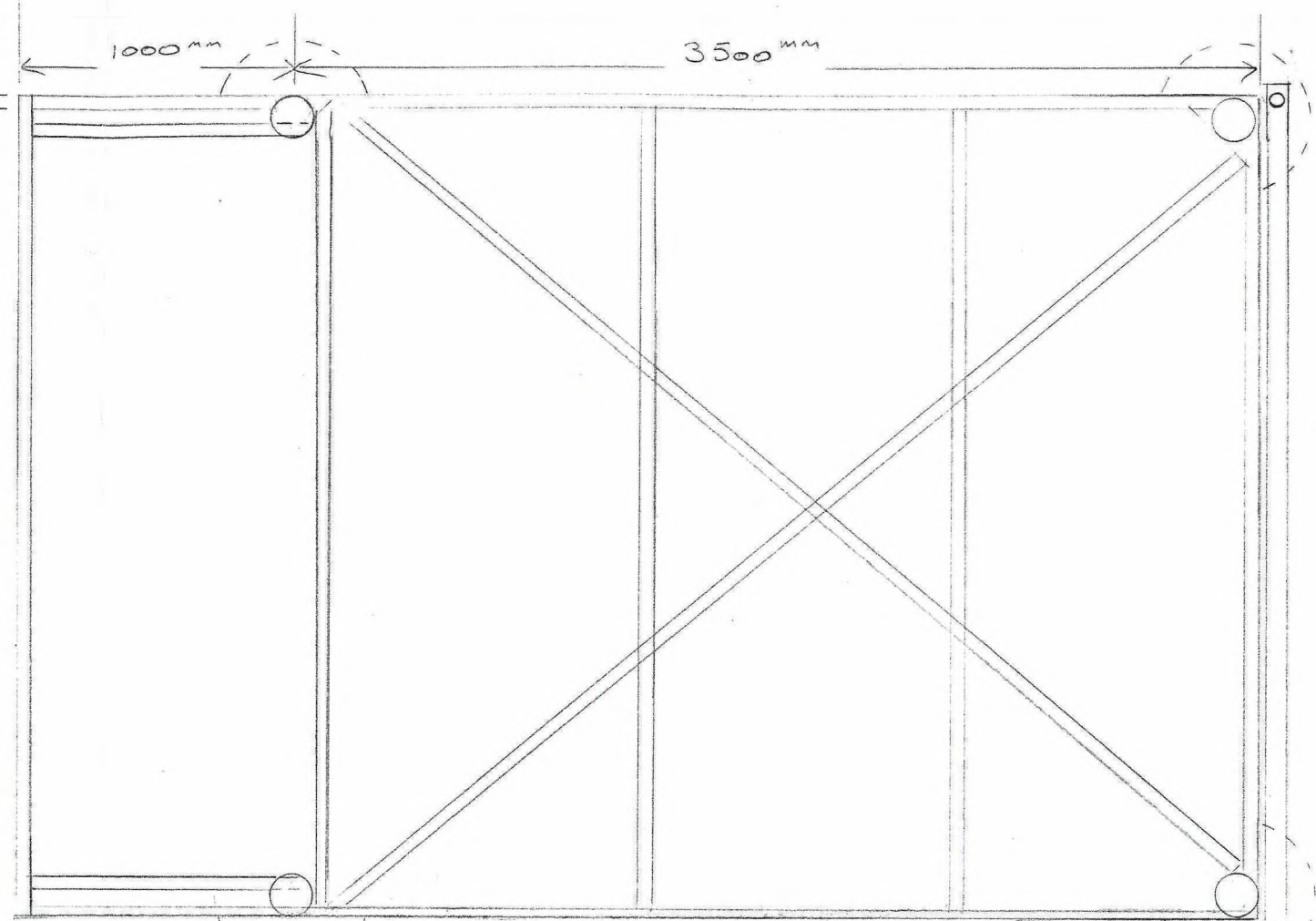
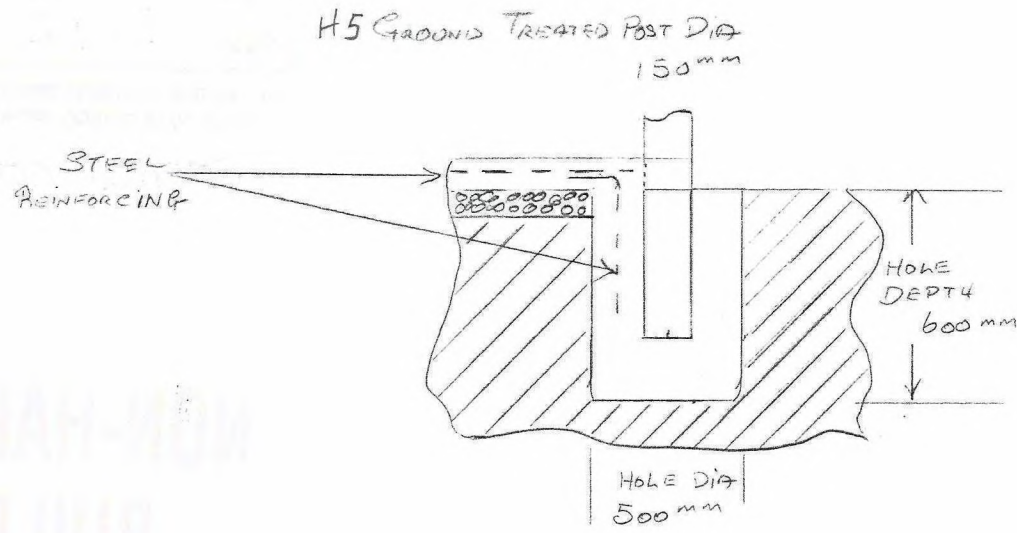


MA T. T. DUNN
 CAR PORT AT PANGATOTARA SCALE 1:25
 TOTAL AREA 14.00 SQM

20/12/06



Tasman District Council
BUILDING CONSENT AUTHORITY
APPROVED DRAWINGS
Consent Number BC. 061513
Signed *SM*
Date *1.12.06*
ALL WORK IS TO COMPLY WITH THE NZ BUILDING CODE
DO NOT MAKE CHANGES WITHOUT PRIOR APPROVAL

Council copy

**NON-HABITABLE
BUILDING**

Tasman District Council
BUILDING CONSENT AUTHORITY
APPROVED
- 1 DEC 2006
BUILDING CONSENT
ALL WORK IS TO COMPLY WITH THE NZ BUILDING CODE
DO NOT MAKE CHANGES WITHOUT PRIOR APPROVAL